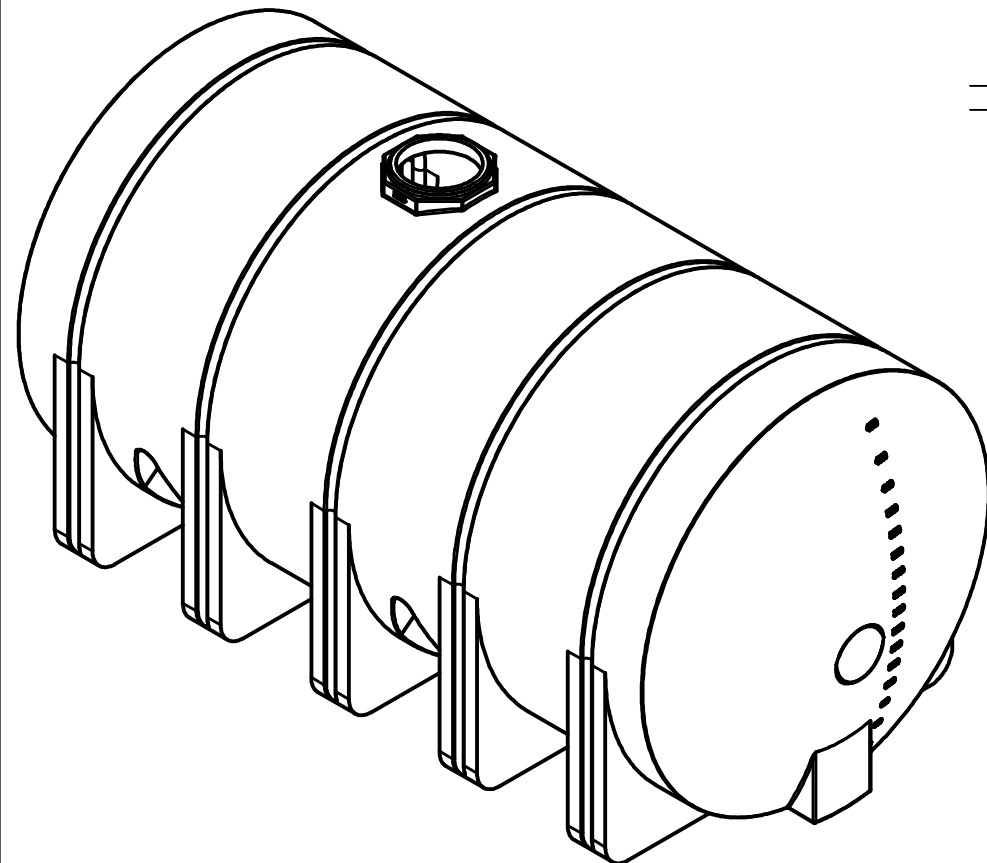
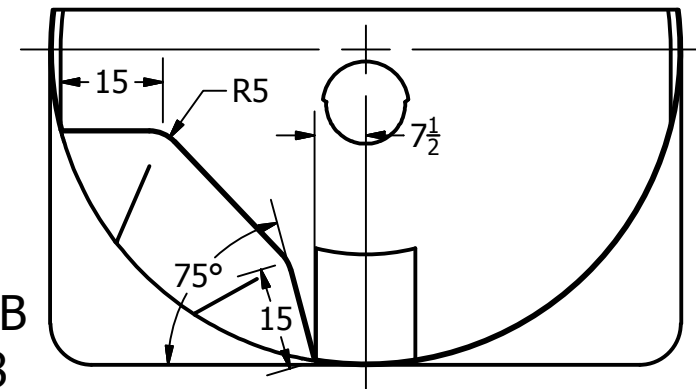

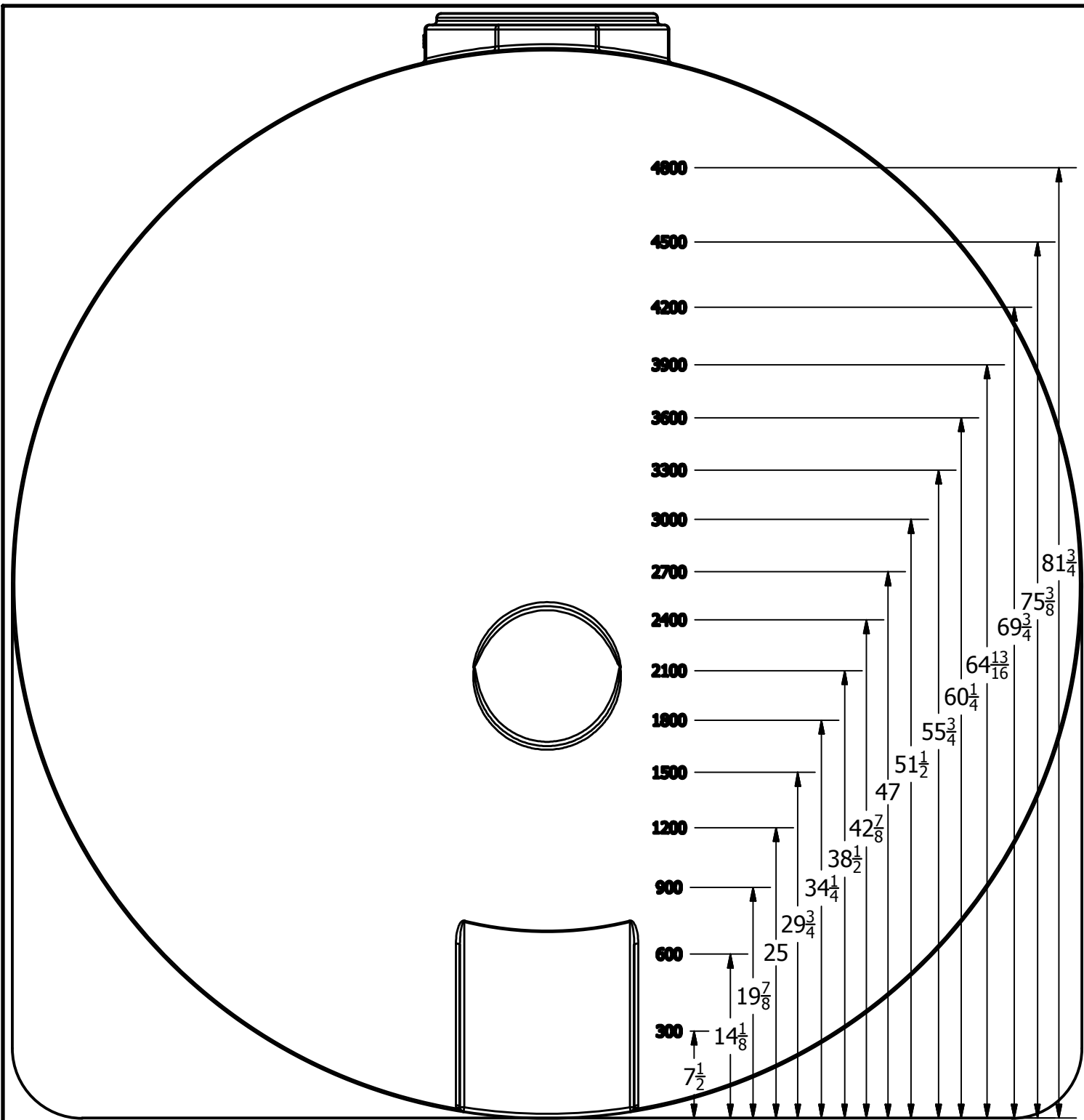



SECTION B-B
SCALE 1:28



REVISION HISTORY			
REV	DESCRIPTION	DATE	AUTHOR
A	REDRAWN	7/17/2013	Michael Holden
DRAWN Jerry Paulson		8/4/2003	 NORWESCO, INC. SAINT BONIFACIUS, MN TITLE 5025 GALLON HORIZONTAL LEG TANK
CHECKED			
QA			
MFG			
APPROVED			
SIZE B		DWG NO	REV A
SCALE: 1/16		SHEET 1 OF 2	



DRAWN Jerry Paulson	8/4/2003	 NORWESCO, INC. SAINT BONIFACIUS, MN TITLE		
CHECKED				
QA		5025 GALLON HORIZONTAL LEG TANK		
MFG				
APPROVED				
		SIZE B	DWG NO	REV A
		SCALE: 1/16	SHEET 2 OF 2	